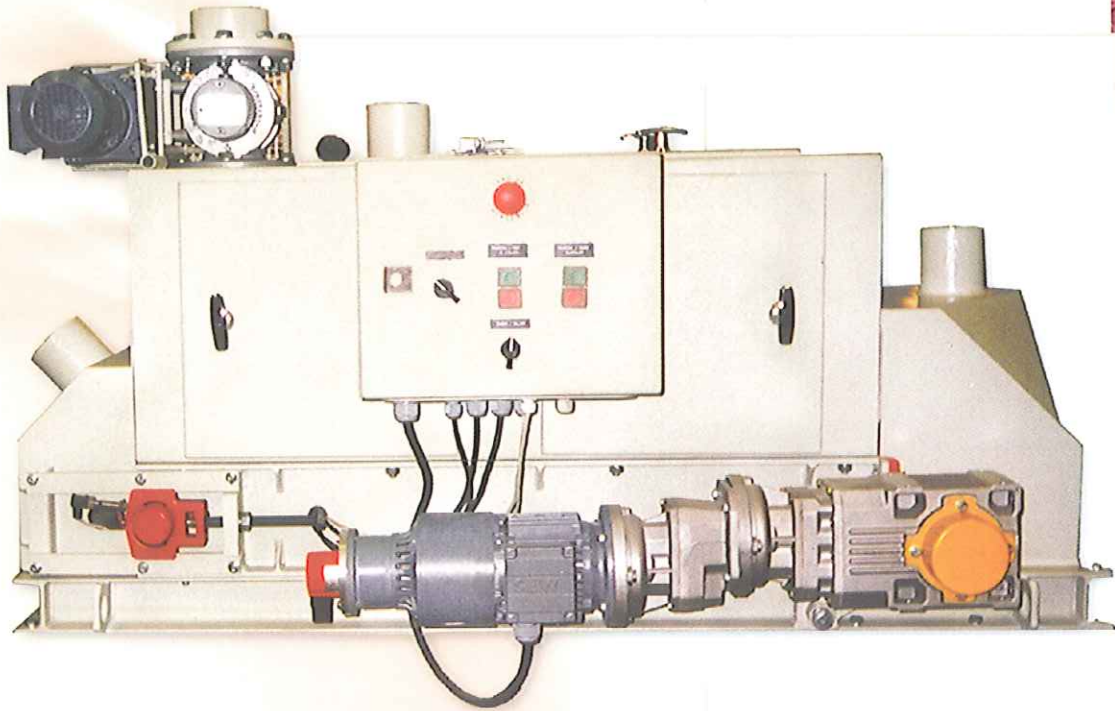


VIDMAR

Micro belt feeder
for additives



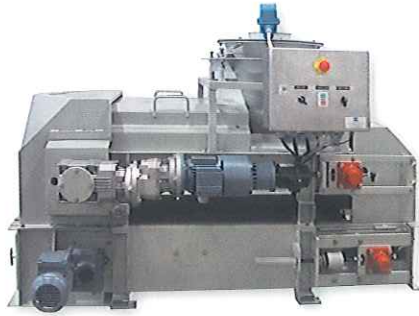
0 Kg/h
..... 250 Kg/h

VIDMAR industrial weighing engineering
ingénierie en pesage industriel
ingeniería en pesaje industrial



application

- Dosing of small amounts of granular or dusty additives.
- Suitable for concrete plants, mortar, glass, cement, ceramics, etc, in any kind of industry where it is necessary to accurately and reliably add small amounts of material in a continuous way

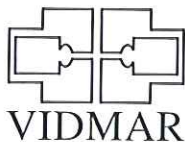
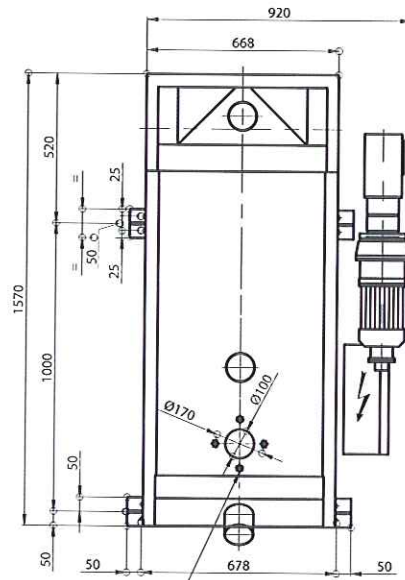


general characteristics

- Accuracy $\pm 0,5\%$ along the whole flow range.
- Hollow shaft gear coupled directly to motor.
- AC motor. Power according to specific characteristics of belt feeder and material.
- Provided with encoder for digital speed reading. Encoder coupled directly to motor.
- Heavy duty UPN beams chassis.
- Tension of belt adjusted by screw allowing fast correction of deviation.
- Load plate.
- Internal and external belt cleaner.
- Rotation detector.
- Three rollers idler, throughing angle 10° .
- Excess of material detector at the entrance to the belt.
- Local junction box for interconnection wiring and local control.

weigh bridge

- Consists of a lever frame hinged on four metal strips, two horizontal and two vertical, made by chrome steel.
- This system absorbs horizontal forces before reaching load cell, and allow transmission exclusively of vertical components.
- Supplied with a 3000 divisions O.I.M.L. load cell.



VIDMAR
P. I. La Cort C/ dels Forn, parcelas 8 y 9
08261 CARDONA (Barcelona) -ESPAÑA
Tel. (+34) 902 154 785
Fax (+34) 938 691 053
E-mail: vidmar@vidmar.es
http://www.vidmar.es

VIC-VIDMAR-ITEM de Colombia Ltda.
Carrera 72A # 71A-31
BOGOTÁ (COLOMBIA)
Tel. (+57-1) 4301138
Fax (+57-1) 224 3331
E-mail: itemltd1@aolpremium.com

MECA INGENIERÍA, S.A.
Apartado Postal 41 -866
Lomas de Chapultepec
MÉXICO 11000 D.F.
Tel. (+52-55) 53.95.60.72
Fax (+52-55) 53.95.60.74
E-mail: alexreiner@mexis.com

SINPEC
3, Rue Batignolles, Immeuble Wafa
Appartement n°6, 3ième étage
CASABLANCA (MARRUECOS)
Tel. (+21-222) 401 841
Fax (+20 222) 401 892
E-mail: spes@sinpec.ma

EAGLE PACIFIC LTD
23 Phung Khac Khoan, District 1
Ho Chi Minh City, VIETNAM
Tel. (848) 825 1384
Fax (848) 823 7665
E-mail: mf@eaglepax.com

EEL INDIA LTD
401-402, Udyog Vihar, Phase-III
Gurgaon -122016 Haryana, INDIA
Tel. (+91-124) 5003255
(+91-124) 5003256
(+91-124) 5003257
(+91-124) 5003258
(+91-124) 2341280
(+91-124) 2340622
Fax (+91-124) 2340633 / 2342250
E-mail: sales@eelindia.com
eel@eelindia.com
http://www.eelindia.com

UNION-LOCK INDUSTRIAL AND TRADING CORPORATION
227 Visayas Avenue
Quezon City (PHILIPPINES)
Tel. (632) 9242791, 9242339
Fax (632) 9208843
E-mail: unionlock@pacific.net.ph
ess_ulite@pacific.net.ph